

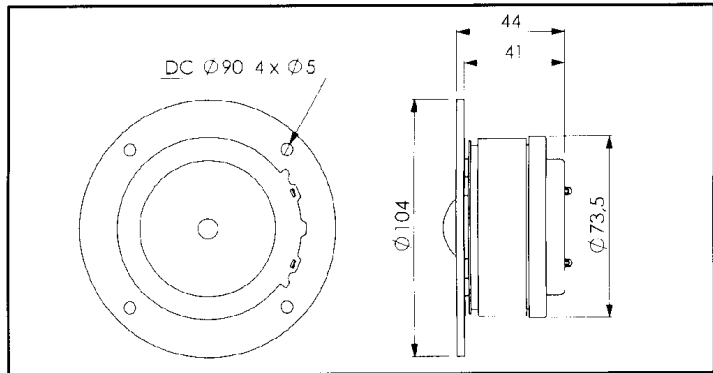


All your senses
are related



Description

D2905/950000 is a 1" textile dome tweeter with a smooth, detailed and very transparent sound and low levels of distortion. To achieve high resolution and better reproduction of details, a special coating material is used. In a complicated coating process, done by hand, the dome is coated several times to obtain a unique combination of dynamic linearity and damping of resonance. The optimized polepiece geometry reduces flow resistance and the anti-resonator-plug in the rear chamber eliminates turbulence. A light ferro fluid is used in the air gap to ensure optimal linear mechanical behaviour and minimal micro-dynamic nonlinearity.



Technical data:

Characteristic sensitivity (2.83V / 1m)	: 90 dB
Recommended frequency range	: 2 - 30 kHz
Free air resonance frequency, f_s	: 550 Hz
DC resistance, R_e	: 4.7 Ω
Voice coil inductance, L_e	: 0.08 mH
Effective piston area, S_d	: 8.5 cm ²
Moving mass incl. air, m_d	: 0.45 g
Force factor, BL	: 3.5 Tm
Excursion, lin./max.	: $\pm 0.4 / \pm 1.5$ mm
Voice coil diameter	: 28 mm
Rated power handling	: 150 W (12 dB/oct. cross-over at 2.5 kHz)
Net weight	: 0.7 kg

