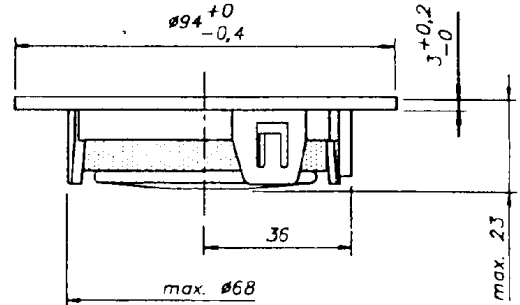


3/4" DOME TWEETER

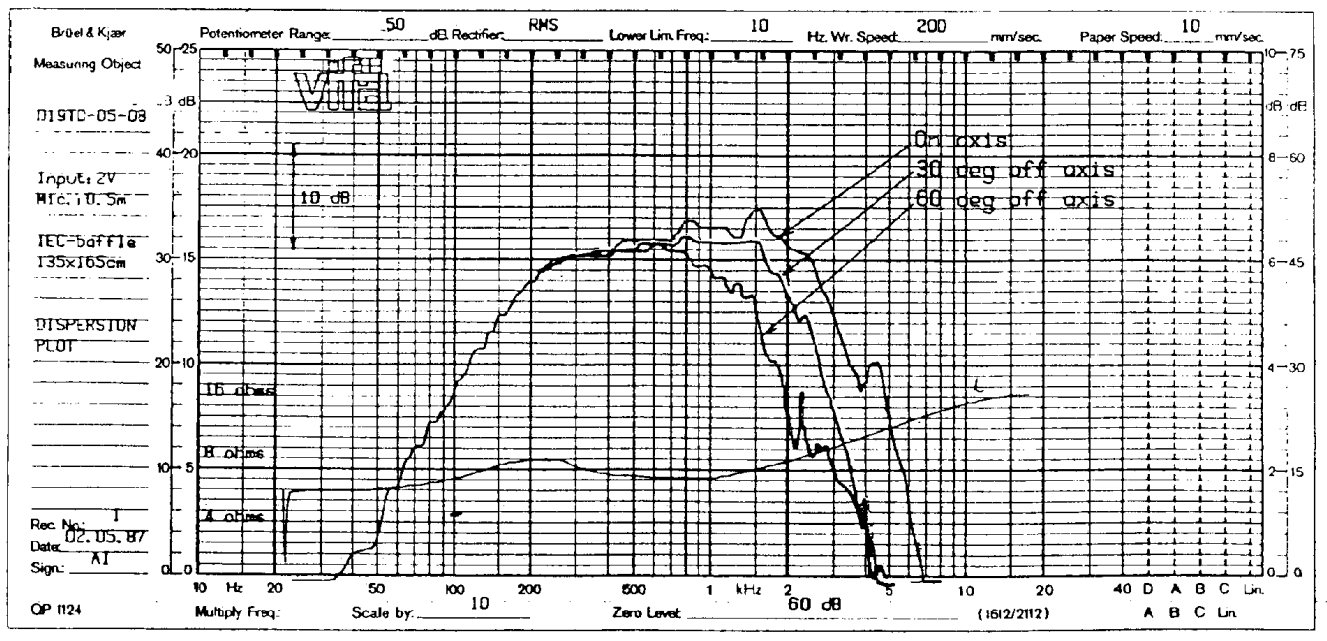
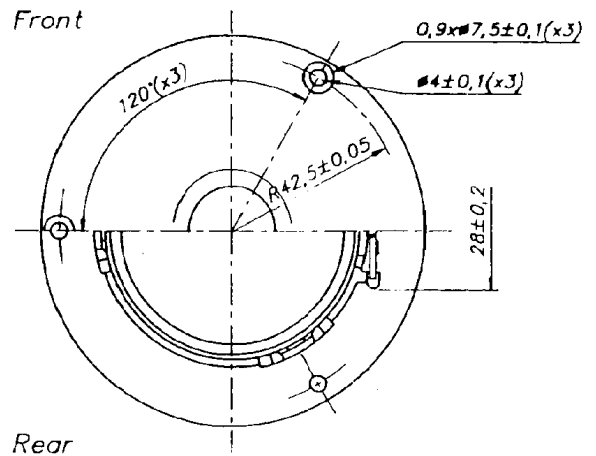
D19TD-05-08

SPECIAL FEATURES:

- HIGH LOSS DIAPHRAGM
- MAGNETIC FLUID
- HIGH POWER VERSION
- GOOD DISPERSION

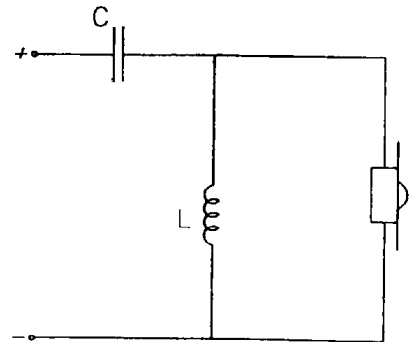


NOMINAL IMPEDANCE	8 Ω
NOMINAL POWER (IEC 268-5)	80 W
FREQUENCY RANGE	3-20 kHz
SENSITIVITY (1W, 1m)	89 dB
EFFECTIVE DIAPHRAGM AREA	4,2 cm ²
VOICE COIL RESISTANCE	6,2 Ω
OPERATING POWER	5,0 W
VOICE COIL DIAMETER	19 mm
VOICE COIL HEIGHT	1,4 mm
AIR GAP HEIGHT	2 mm
FREE AIR RESONANCE	1700 Hz
MOVING MASS (incl. air)	0,2 g
FORCE FACTOR, B x l	2,6 T \times m
MAGNET WEIGHT	(3,7 oz) 105 g



D19TD-05-08**Applications**Recommended x-over:

Nom. power [W]	Fc [Hz]	L [mH]	C [μ F]
80	5000	0,33	3,3



It is strongly recommended to use at least 2'nd order (12 dB/oct) x-over for D19TD-05-08. The impedance load provided by the x-over should be as low as possible at the tweeter res. frequency. This will ensure maximum electrical damping, and consequently minimum excursion. This is essential for high power input.

