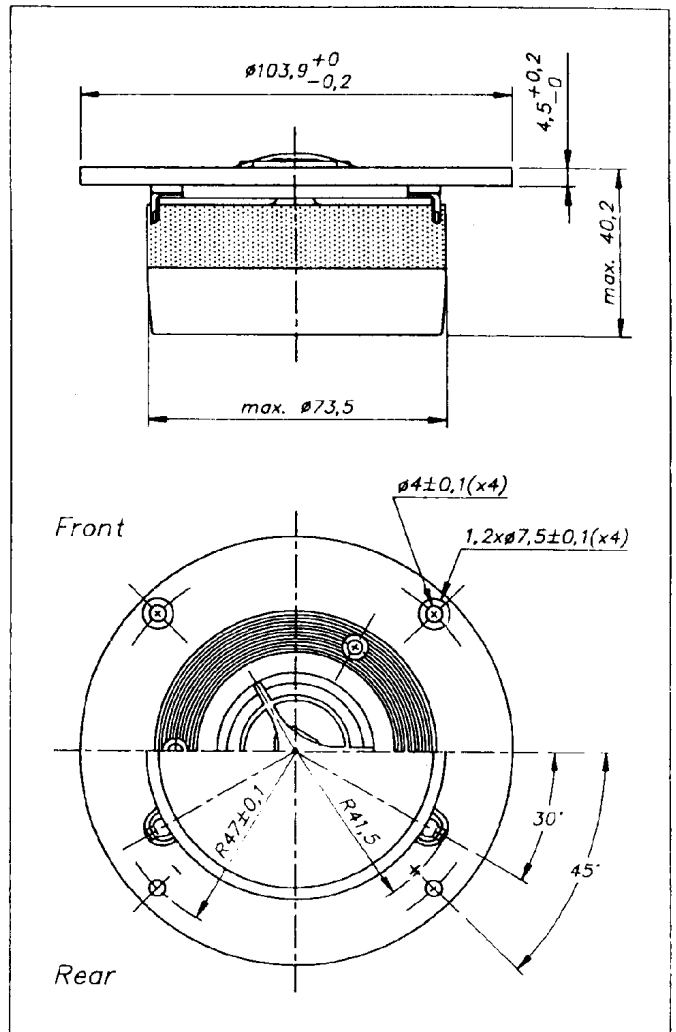


1" DOME TWEETER

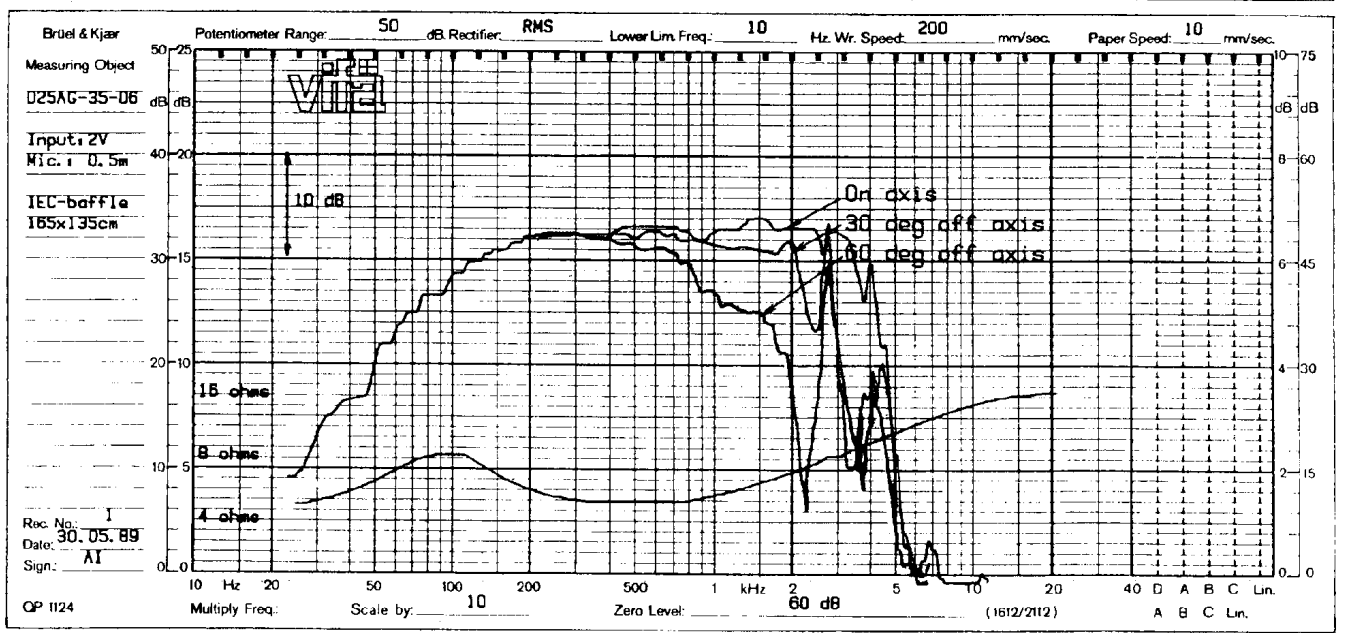
D25AG-35-06

SPECIAL FEATURES:

- ALUMINIUM ALLOY DIAPHRAGM
- "BUTTERFLY" VC ASSEMBLY
- MAGNETIC FLUID
- DOUBLE CHAMBER
- FLEXIBLE VOICE COIL BRAIDS
- PISTON MOVEMENT TO ABOVE 20KHZ
- HIGH PRECISION PHASE SHIELD



NOMINAL IMPEDANCE	6 Ω
NOMINAL POWER (IEC 268-5)	100 W
FREQUENCY RANGE	1,5-35 kHz
SENSITIVITY (1W, 1m)	89 dB
EFFECTIVE DIAPHRAGM AREA	7,1 cm ²
VOICE COIL RESISTANCE	4,6 Ω
OPERATING POWER	5 W
VOICE COIL DIAMETER	25 mm
VOICE COIL HEIGHT	1,6 mm
AIR GAP HEIGHT	2 mm
FREE AIR RESONANCE	850 Hz
MOVING MASS (incl. air)	0,3 g
FORCE FACTOR, B x l	3,3 Txm
MAGNET WEIGHT	(8,5 oz) 240 g



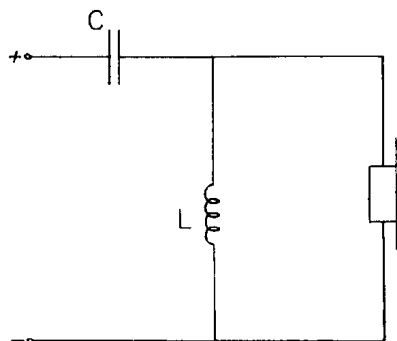
D25AG-35-06

Applications

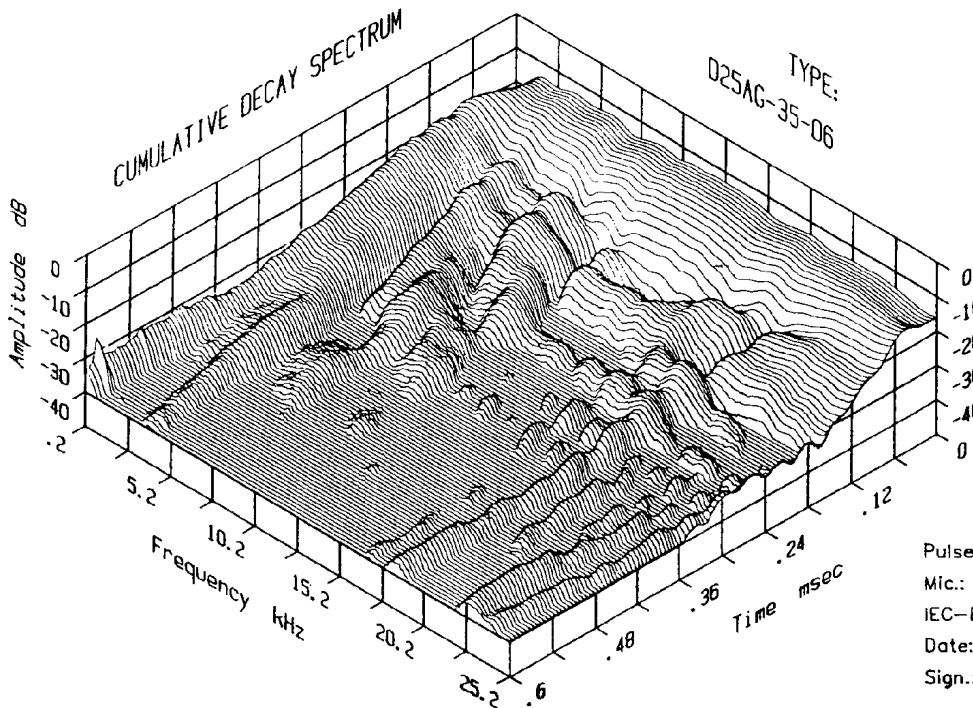
Recommended x-over:

Nom. power [W]	Fc [Hz]	L [mH]	C [μ F]
100	3000	0,22	12
* 50	2000	none	16

* First order x-over



It is recommended to use at least 2'nd order (12 dB/oct) x-over for D25AG-35-06. A 6 dB/oct x-over is described with limited power handling. The impedance load provided by the x-over should be as low as possible at the tweeter res. frequency. This will ensure maximum electrical damping, and consequently minimum excursion. This is essential for high power input.



Pulse: 10V/15 μ S
 Mic.: 0,15 m
 IEC-Baffle
 Date: 07.05.89
 Sign.: AI